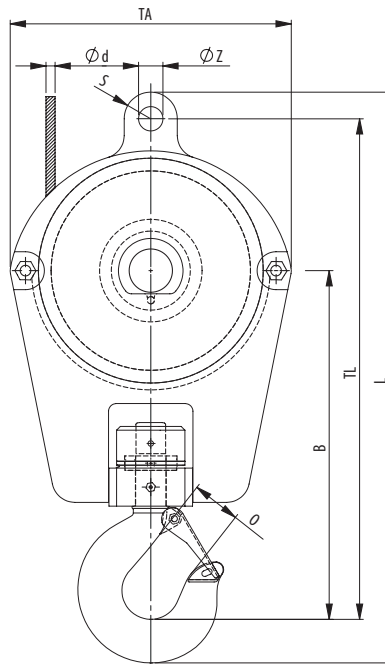
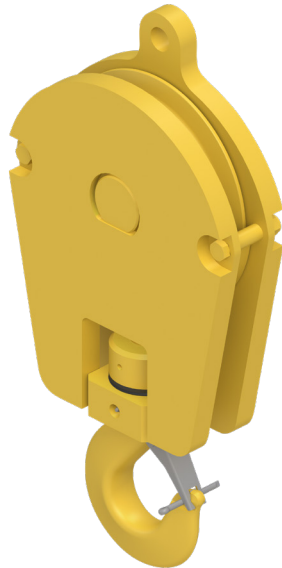
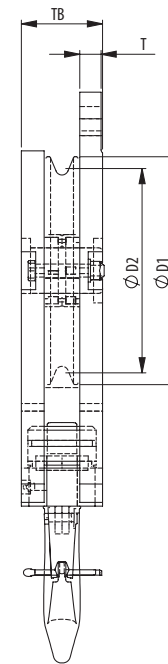


SINGLE SHEAVE BLOCKS



SINGLE ACTION HOOK



Model Nr.	WLL (Mtons)	for wire ød (mm)	Dimensions (mm)										Weight (kg)
			øD1	øD2	B	O	S	TA	TB	TL	T	øZ	
HB 210.11.1.5.E	5	11	250	210	348	34	30	320	103	523	20	27	41
HB 220.13.1.5.E	5	13	260	221	353	34	30	353	109	525	22	27	67
HB 220.14.1.8.E	8	14	260	218	390	43	35	330	121	571	28	32	80
HB 220.14.1.10.E	10	14	260	218	429	52	35	330	137	609	28	32	93
HB 255.13.1.8.E	8	13	300	255	426	43	30	370	101	621	22	27	89
HB 255.16.1.8.E	8	16	300	252	420	43	35	370	111	621	28	32	94
HB 255.16.1.10.E	10	16	300	252	459	52	35	370	127	659	28	32	91
HB 305.16.1.10.E	10	16	350	305	499	52	35	435	107	739	28	33	113
HB 345.18.1.12.E	12	18	400	345	557	57	45	500	125	832	35	37	162
HB 390.20.1.16.E	16	20	450	390	592	57	50	550	131	917	35	43	206
HB 430.22.1.20.E	20	22	500	430	592	76	50	600	148	1032	40	43	284

Minimum Ultimate Strength = 4 x WLL

- Standard fitted with becket, cylindrical roller bearing and reeving guide.
- Standard fitted with swivel only hook (319AN style), including safety latch and split pin. Standard painted yellow (no striping).
- This crane block may be used with 2 lines only as well.
- Third party testing with certification available upon request.
- Sheaves may be adjusted for other wire rope diameters.
- Becket suitable for connecting Open Wedge Socket for indicated wire rope diameter.



SEE OUR WARNING & SAFETY INFORMATION